

DA-1-CE00428 Disassembly Instructions

Disassembly Instructions for disposal of components of ventilation units according to EU 1253/2014.

Safety Instructions

- Ensure electrical supply to the product is disconnected before any work begins
- Review Installation Instructions of the product to ensure compliance with safety specifications
- Disassembly should only be attempted by someone of appropriate competency

Tools Required

- Phillips Screwdriver
- Nippers
- Pliers

General Notes

To ease disassembly, it is recommended that wiring to sensors and motors within the ventilation unit are cut during disassembly.

Disposal

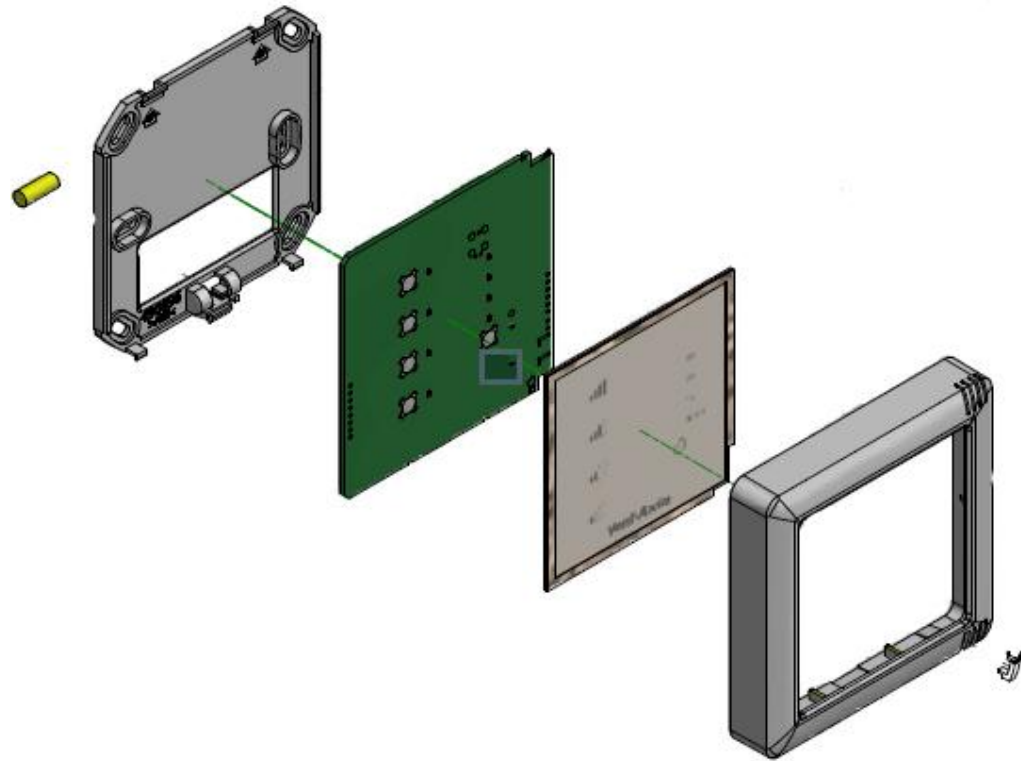
Disposal must be carried out professionally and in accordance with the national legal requirements. Materials should be separated by type, if necessary, consult with a waste disposal specialist.

SKUs

| | |
|------------|------------|
| 8000001278 | 8000001414 |
| 8000001179 | 8000001180 |
| 8000001412 | 8000001181 |
| 8000001413 | 8000001276 |
| 8000001279 | 8000001182 |

800001179

800001413

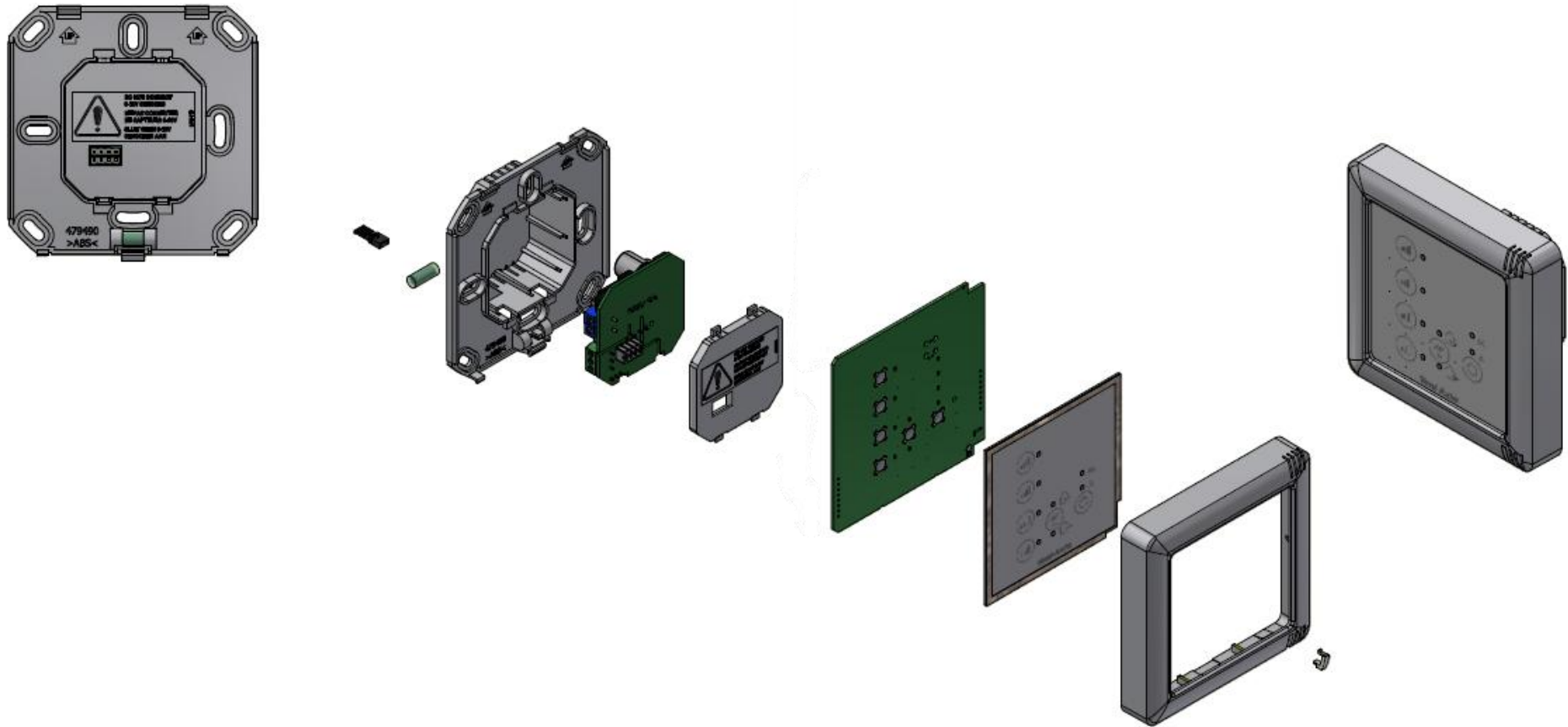


8000001279

8000001278

8000001414

8000001412



PCB layout varies across models

8000001180

8000001276

8000001181

8000001182

